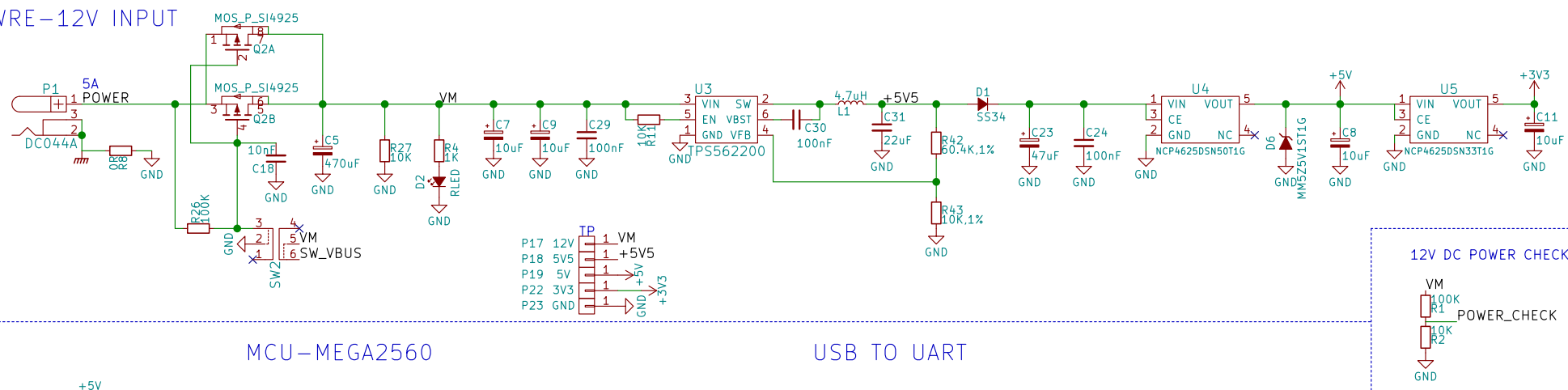
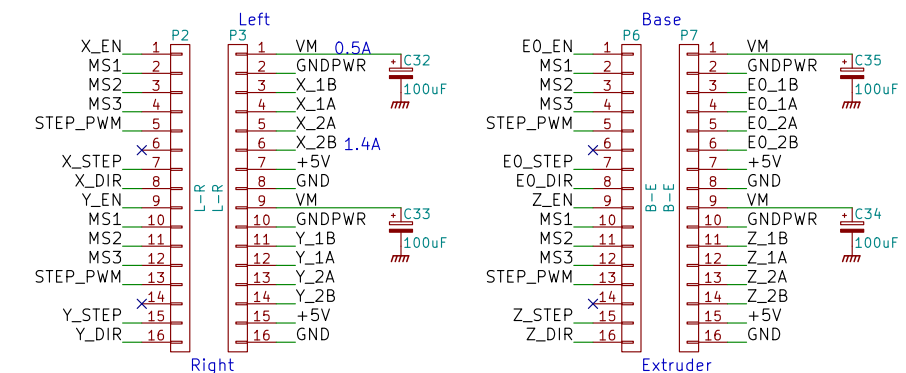


POWRE-12V INPUT

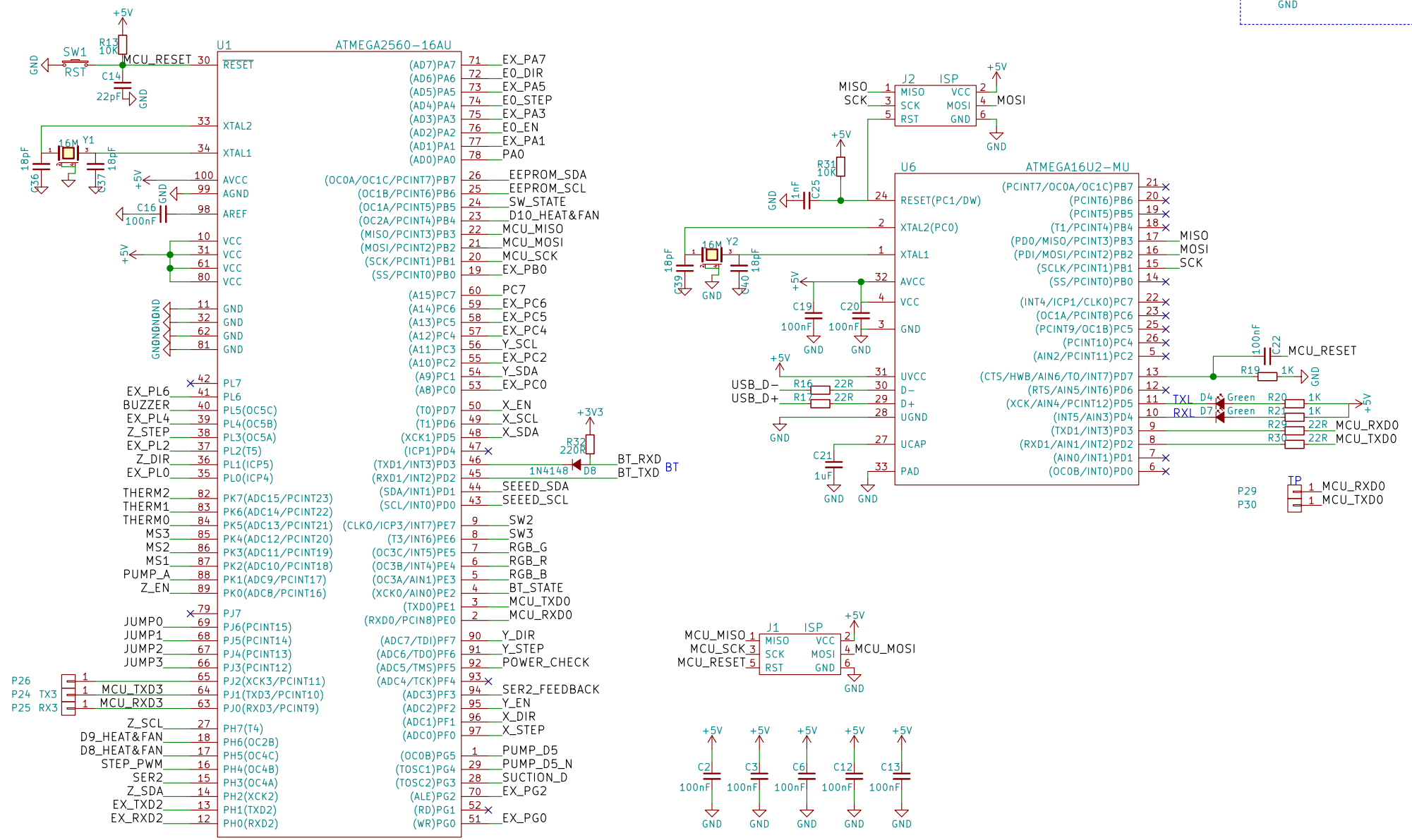


Connectors

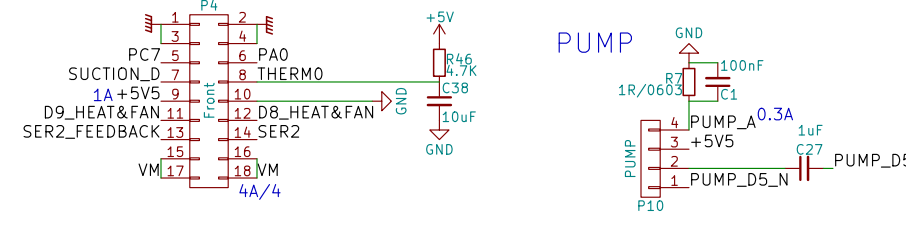


MCU-MEGA2560

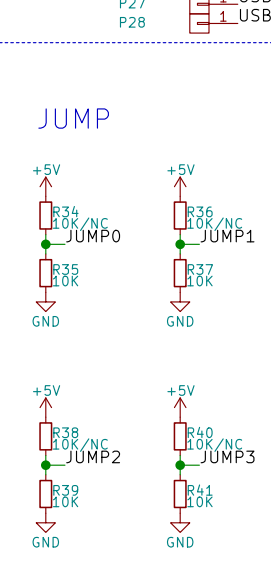
USB TO UART



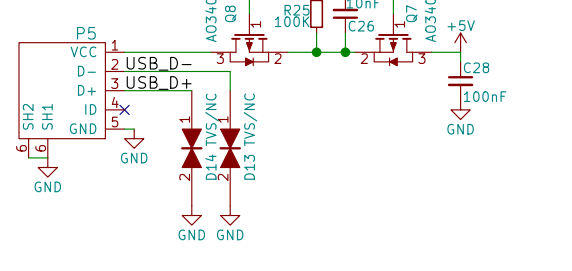
Front



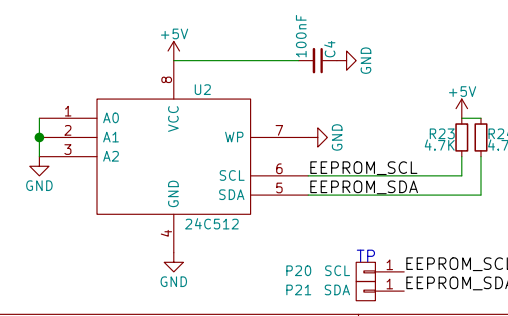
JUMP



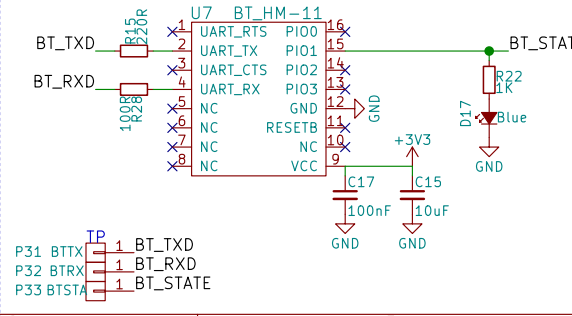
USB



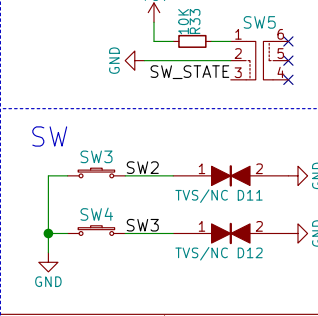
EEPROM USR & SYS



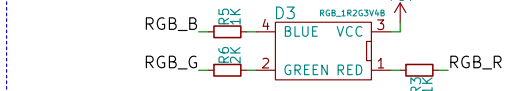
BT



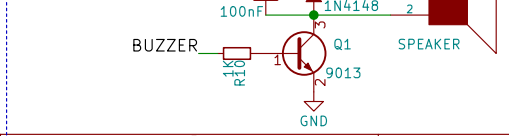
Switch



LED-RGB



BUZZER



UFACTORY		
Sheet: /		
File: uArmPro1.0-MAIN-ATMEL-PCB.sch		
Title:		
Size: A3	Date: 2017-02-24	Rev:
KiCad E.D.A. kicad 4.0.4-stable		Id: 1/1